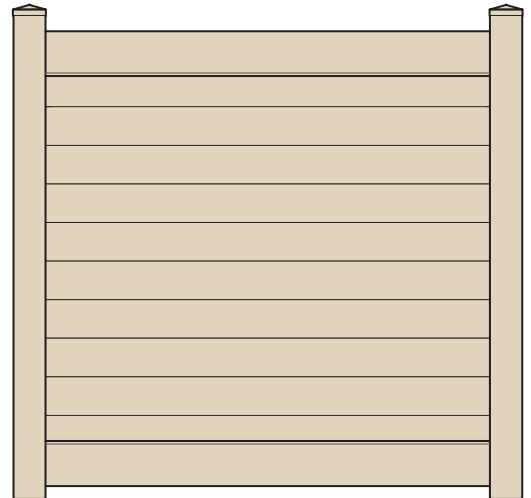
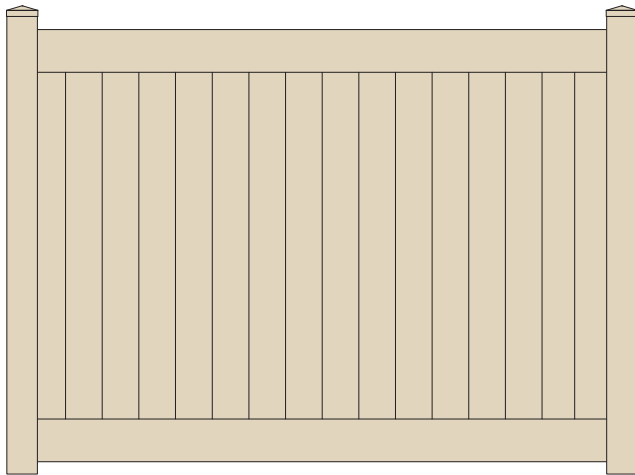


Privacy Fence  
**H-POST SYSTEM**  
Installation Instructions



**WEATHER STRONG** PVC FENCES  
vinyl products

**NEXTWOOD**  
Outdoor Products

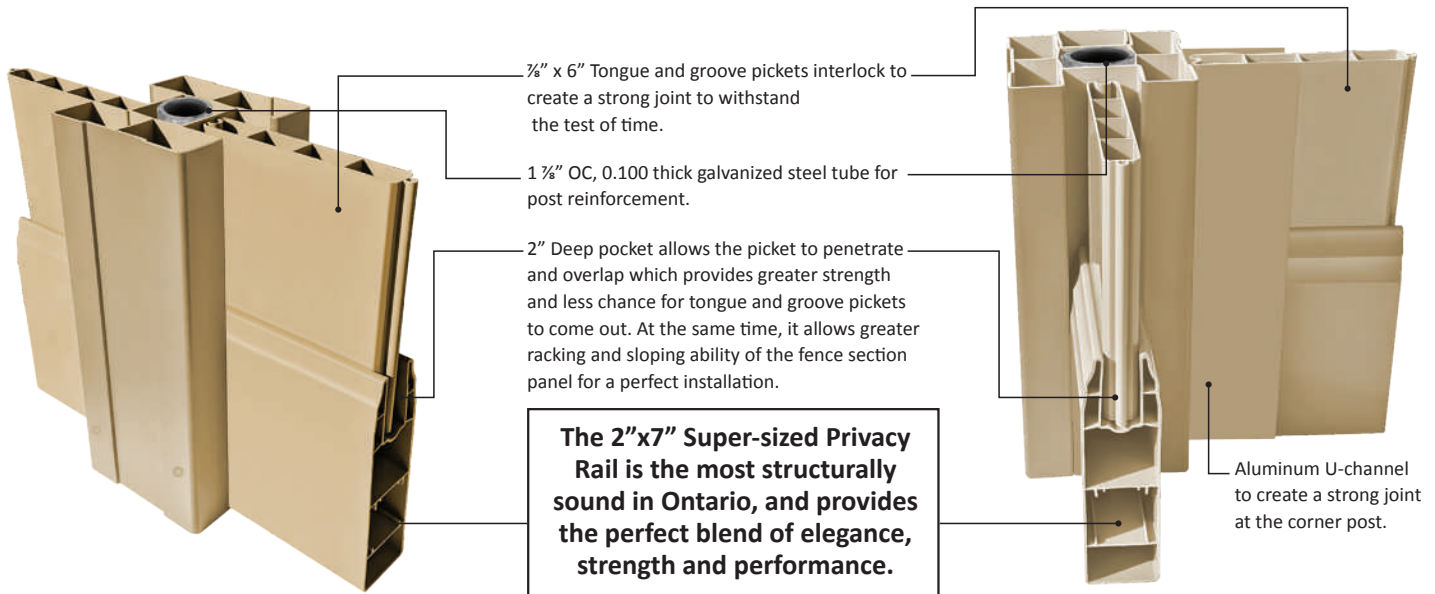


**Read this instruction manual completely before beginning!**

These instructions are to be used as general guidelines for the installation of your vinyl fence under normal installation conditions. Local conditions may exist which may require changes in the recommended methods of

installation noted in these instructions such as extreme weather, bad soil conditions such as expansive soil or poorly compacted soil, extreme winds or heat, etc.

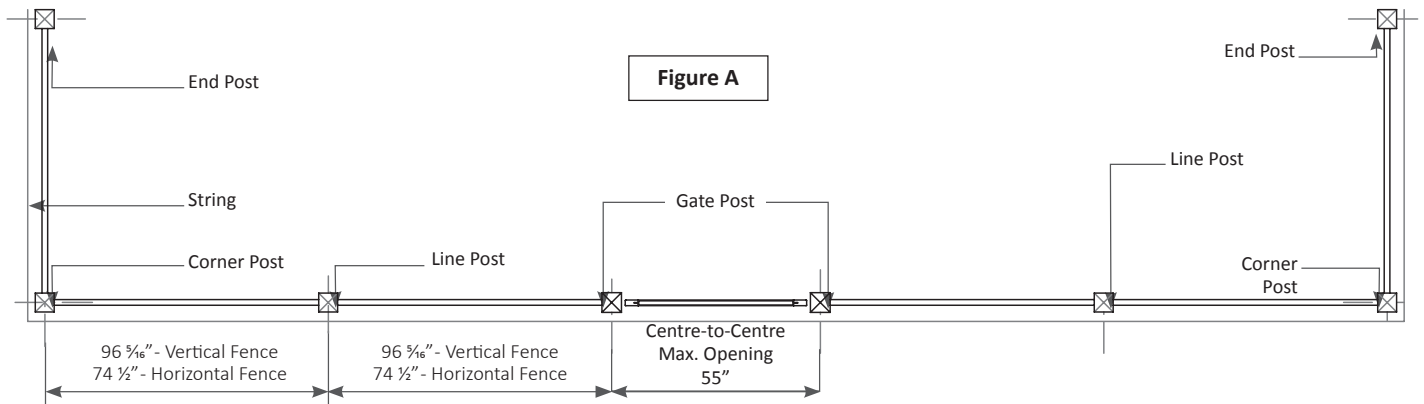
## H-Post Privacy Fence System Anatomy



## Fence Layout

Laying out the fence is a critical step towards ensuring a quality installation. Before you start, it's important to check:

- That fence footings do not exceed legally established property lines. Consult a professional surveyor.
- Local codes for specifications regarding frontage locations, allowable fence heights, etc. A permit may be required.
- With local utility companies for locations of underground cables or pipelines.
- Before purchasing the fence, draw a layout to determine the amount of fencing you needed.



### STEP 1

Locate the boundary lines to your property.

### STEP 2

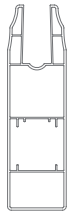
- Drive stakes into the ground along the property line and stretch a string between each stake.
- Be sure to extend the string about 24" beyond the property line.

### STEP 3

Please follow the guideline below to position the posts:

- When using standard 8-ft vertical panels, the distance between posts should be 96 3/16" centre-to-centre, and 74 1/2" centre-to-centre for 6-ft horizontal fence.
- When using standard 4-ft gates, the distance between the posts should be 55" centre-to-centre.
- In case the overall length of the fence is not exact multiplication of 96 3/16", leave the distance for the corner posts to be less than 96 3/16". Determine these distances, as the panels connected to the corner posts must be cut according to the actual distances. Note for instruction below to determine the length of panels connected to the corner posts.

**PANEL COMPONENTS**



2" x 7" Rail

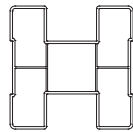


7/8" x 6" T&G Picket

**POST COMPONENTS**



Galvanized Pipe -  
1 7/8" OD (96")



5" x 5" H-Post



Aluminum  
U-Channel



Post-End  
Filler



External Flat Cap

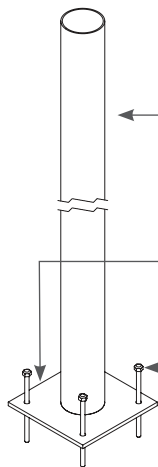


New England Cap



Gothic Cap

**Galvanized Pipe with Flange (48")**

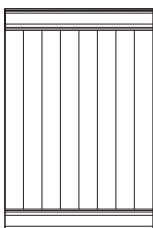


Galvanized Steel Pipe  
1 7/8" OD  
Length: 48"

Pipe Flange  
4-1/2" x 4-1/2" x 0.2"

3/8" Concrete Anchor  
Bolt x 4 pcs.

**GATE COMPONENTS**



Privacy Gate  
48" x 70"



Gate Stile (71")  
or Aluminum  
U-Channel



Hinge



Latch

**H-POST PRIVACY FENCE COMPONENTS - 8ft. Vertical**

See Figure B

- A. 5" x 5" H-Post (1) (84")
- B. 2" x 7" Rail (2) (96 3/8")
- C. 5" x 5" Post Cap (1)
- D. 7/8" x 6" Tongue and Groove (T&G) Pickets (16) (60")
- E. Galvanized Pipe 1 7/8" OD (1) (96")

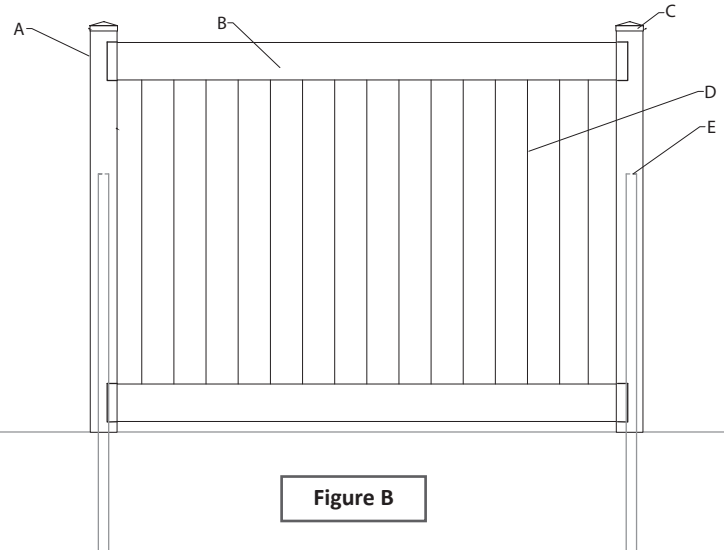


Figure B

**H-POST PRIVACY FENCE COMPONENTS - 6ft. Horizontal**

See Figure C

- A. 5" x 5" H-Post (1) (84")
- B. 2" x 7" Rail (2) (72 1/4")
- C. 5" x 5" Post Cap (1)
- D. 7/8" x 6" Tongue and Groove T&G Pickets (10) (72")
- E. Galvanized Pipe 1 7/8" OD (1) (96")

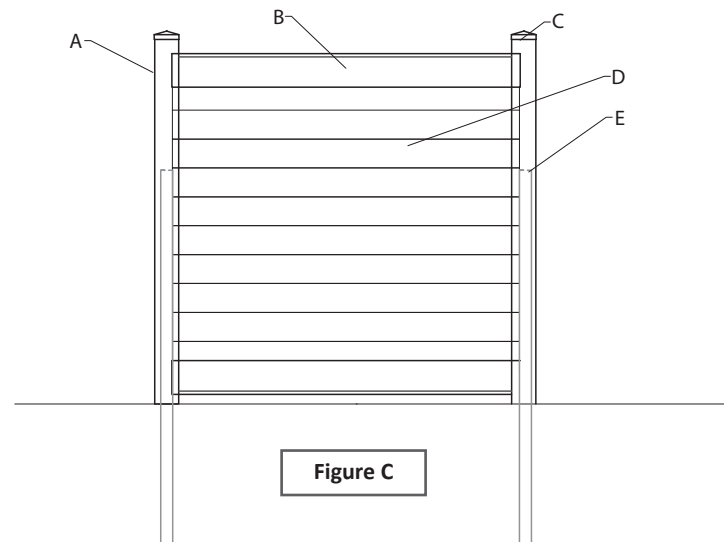


Figure C

Nextwood recognizes different methods of post installations into the ground. Nextwood recommends the use of a galvanized pipe to secure the H-Post to the ground.

## Pipe-Pounding Method

### STEP 1 - SETTING FENCE LAYOUT

- Before you begin pounding it is important to follow the instruction in the above section of "Fence Layout" (page 2).
- Galvanized steel pipe (96") should be spaced according to chart on page and pounded 48" deep. (Figure C)
- Use a level and your string line to ensure that the steel tubes are as plumb as possible while pounding.

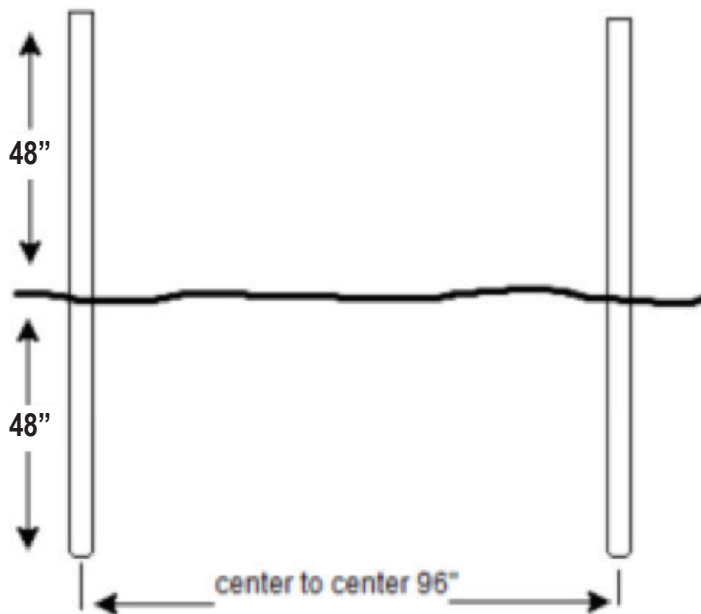


Figure C

### INSTALLATION OF POST CAPS

NOTE: Do not install post caps on posts until the fence installation is complete.

- Press the post cap completely and securely into the top of the posts.
- Non-dripping adhesive is to be used to permanently secure the post caps into the posts. Apply the adhesive carefully as to not allow the glue to drip on any part of the fence, in particular, along the post.
- Note that once adhesive is cured, the post cap may not be able to be removed.

### STEP 2 - STRING LINE

- Slip the Corner and End Posts (H-Posts) onto the steel tubes.
- Once the Corner and End Post are set, run the string-line from the End Posts to Corner Posts etc. (Figure D).

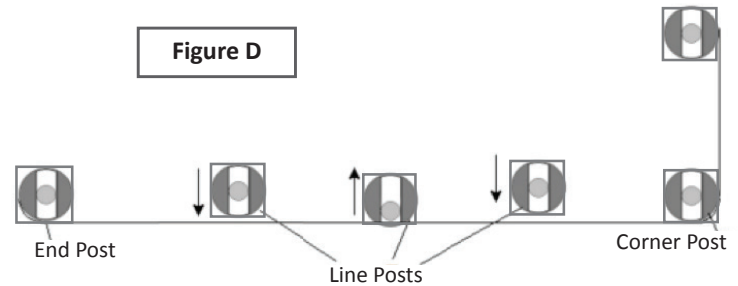


Figure D

### STEP 3 - SETTING POSTS FOR HEIGHT

- Place all H-Posts over the steel tubes making sure they are in the correct positions, i.e., Line, Corner, and End Posts.
- Set End Posts and Corner Posts for height.
- Run a string over the top of posts from end to end of each fence line.
- Then set the rest of the posts to height.

### POST INSTALLATION ON CONCRETE

- There are cases where the fence posts must be installed on concrete ground.
- There are also cases where installers prefer to form concrete foundations on the ground. Follow recommended local guidelines for such concrete foundation.
- Galvanized pipe with flange (see page 2) must be used. The flange must be bolted into the concrete using the recommended concrete anchor bolts.
- The rest of the post installation should follow the steps above.

## Post Installation

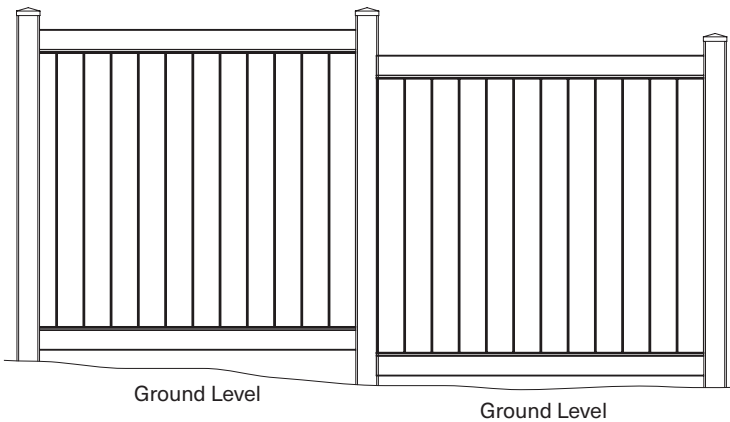
### FLAT TERRAIN INSTALLATION

For typical installations on flat ground, the posts are to be set at an elevation with approximately 2" clearance between the bottom end of the bottom rail and the ground.

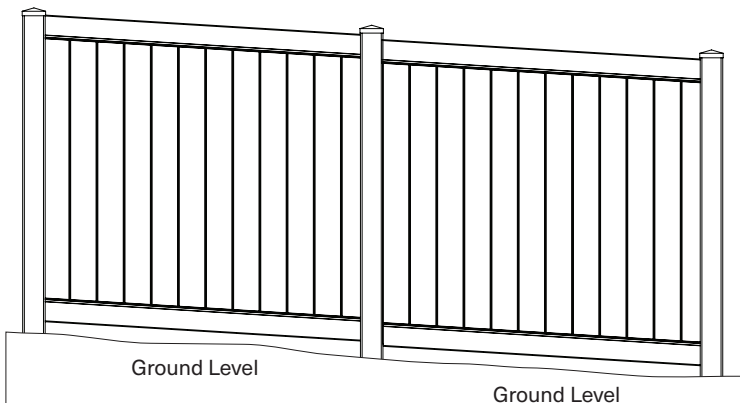
Set all posts to the desired elevation. It is recommended that the top level of the posts are between 75" and 77" above the ground.

### SLOPED TERRAIN INSTALLATION

For installation on sloped/variable ground, it is recommended to use "stepped" or "racked" installation method (see illustration below). Note that the clearance under the fence will increase as the grade drops off.



**Figure E: Stepped Installation**



**Figure F: Racked Installation**

## Installation of Privacy Fence Panels

### Note:

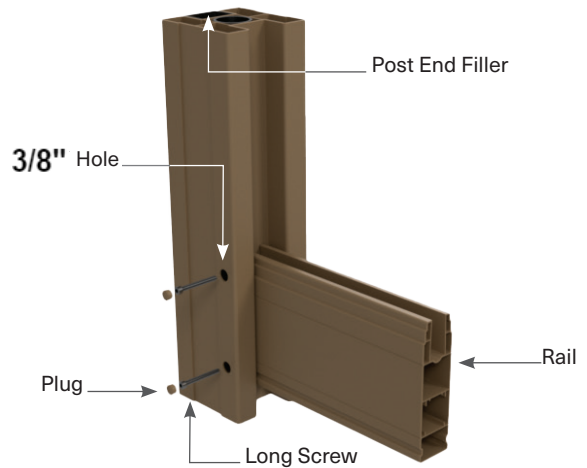
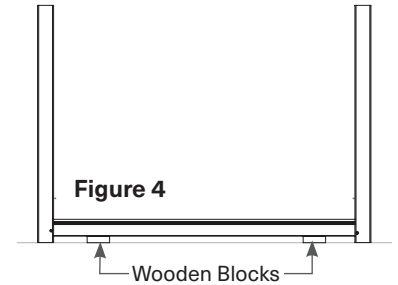
- i) All privacy fence components come as pre-cut profiles or knock-down (KD) components from the factory. Refer to Page 2 for sizes.
- ii) When installing fence panels, always start at the End Posts and Gate Posts, then Middle Posts. Install the panels connected to the Corner Posts last.
- iii) It is recommended to use panel components with full width (96") for most gaps between posts, except those near the Corner Posts. If the gaps near the Corner Posts are less than the standard gap, cut the panel components, especially the horizontal fence components, to fit to those gaps.

### INSTALLATION OF BOTTOM HORIZONTAL RAIL TO H-POST

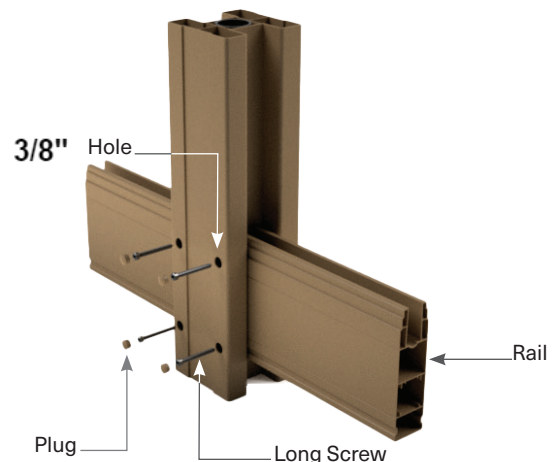
#### For End Post and Middle Post

**Note: Posts installed with this method have slight rotational wiggle room**

- Insert one end of the bottom rail into the cavities of both H-Posts. The rail profile may have to be inserted into the cavities on a vertical angle.
- Level the horizontal bottom rail with the lowest level of the rail about 2" above the ground. If necessary, put wooden blocks while securing the rail profile to both H-Posts (Figure G and Figure H).
- To secure the rail to the H-Posts, start by drilling **3/8"** holes, one for each connection between H-Post and horizontal rail profile, on one side of the H-Post at a location roughly in the middle of the horizontal rails (Figures 5 and 6).
- Use the long screws (#10 – 2 1/2" length) to secure the rail profile into the H-Post.
- Insert the plastic plug to cover the holes on the H-Posts.
- For the End Post and Gate Post, slide Post End Filler into the open groove of the H-Post (see illustration)



**Figure G - Joining Bottom Rail to End Post**



**Figure H - Joining Bottom Rail to Line Post**

## INSTALLATION OF PANELS CONNECTED TO CORNER POST

**Note:**

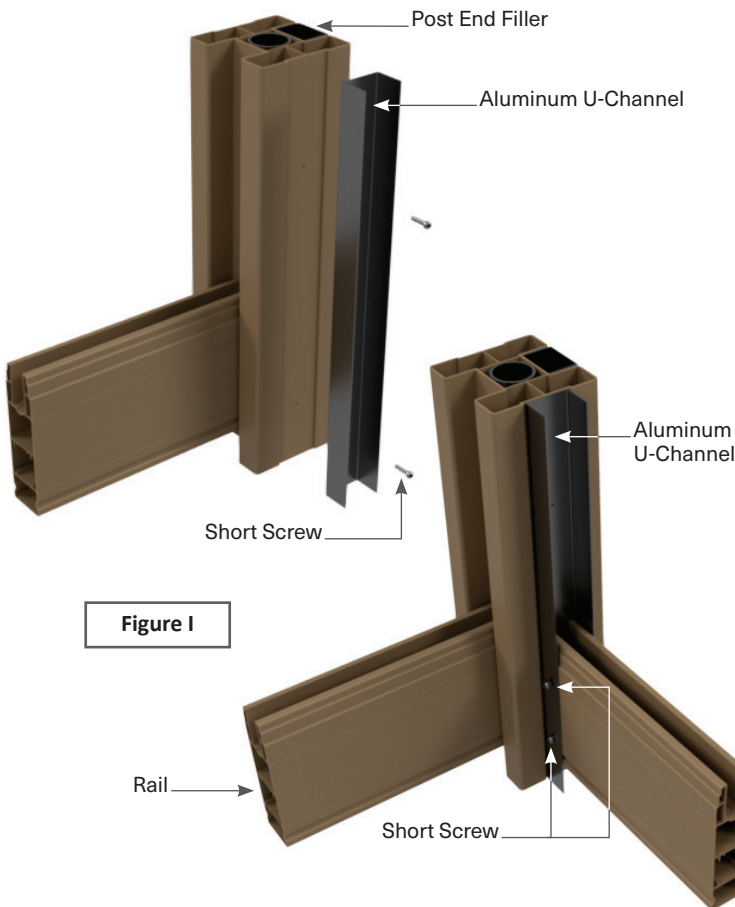
- i) The fence panels connected to Corner Post may require adjustment in width—cutting the panel to fit the narrower gaps. The width adjustment is different for the two cases below, i.e., for the side with inherent groove and with flat surface of the Corner Post.
- ii) One side of the Corner Post will have an inherent groove for the panel, while the side perpendicular (90 degrees) to the previous one is a flat surface. Thus, a groove must be created to accept another fence panel.

### A. Installation of the Bottom Horizontal Rail into the Inherent Groove of Corner Post

This procedure should follow the panel installation Bottom Horizontal Rail profile to End Post or Middle Post.

### B. Installation of Bottom Horizontal Rail into the Flat Surface of the Corner Post

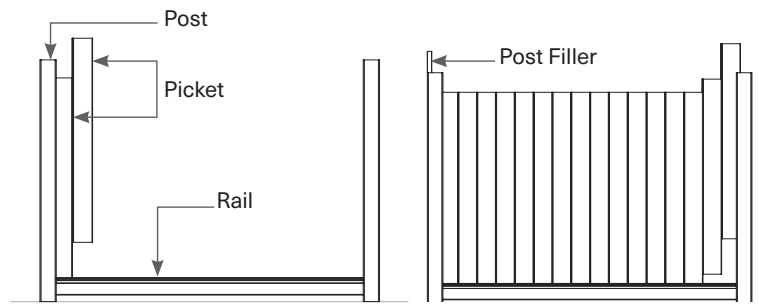
- Secure Aluminum U-Channel along the flat surface of the H-Post with four short screws spaced equally along the length of the H-Post.
- Insert the Bottom Horizontal Rail profile into the gap between a Corner Post and subsequent post.
- The rail profile is secured to the Corner Post at the Aluminum U-Channel at two locations, roughly the middle of the horizontal rails, using short screws (refer to Figure I).



**Figure I**

## INSTALLATION OF VERTICAL PICKET BOARDS

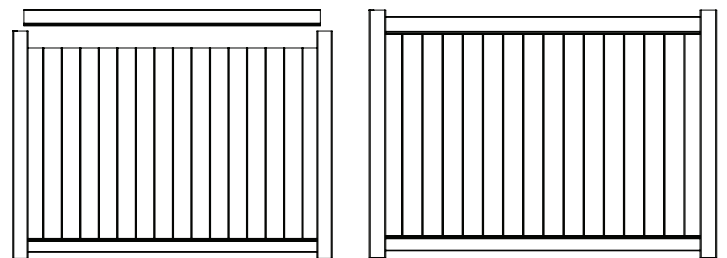
- Insert the Picket Board by lowering it into the opening of the Bottom Horizontal Rail.
- Start with the first Picket Board closest to the H-Post. Ensure that the first Picket Board goes into the groove on the H-Post.
- Continue inserting the next Picket Boards in the opening of the Bottom Horizontal Rail. Note that the Picket Board is a tongue-and-groove board. Ensure that the tongue of one Picket Board is inserted into the groove of the next Picket Board, as to create an integral wide panel.
- The end of the last Picket Board of a panel section shall be inside the inherent groove of the H-Post.
- In certain circumstances, the last Picket Board may have to be cut along the length of the board, so that the whole fence panel will fit perfectly in the gap between two H-Posts.



**Figure J**

## INSTALLATION OF TOP HORIZONTAL RAIL

- To finish off the panel installation, the Top Horizontal Rail must be installed to cover the top of the Picket Boards.
- The Top Horizontal Rail must also fit into the grooves of the H-Posts (see illustration Figure K).
- Finally, the Top Horizontal Rail must be secured to the H-Post in the same manner as the Bottom Horizontal Rail (Figure G and Figure H).



**Figure K**

**INSTALLATION OF GATE**

**Installation of Posts for the Gate**

A gate will be supported by two posts. Due to the suspended weight of the gate, the posts must be constructed to avoid sagging.

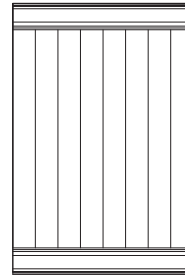
Gate posts may be installed by Dry/Post Mount, Concrete/Dig & Pour, and Anchor to Concrete methods.

**If the Pipe-Pounding Method (page 4) is to be used, Nextwood suggested the following:**

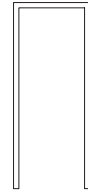
- If possible, set at least one of the posts by the wall of the house. Secure the post(s) to the wall using screws or L-brackets.
- Ideally, the other post should be an End Post.
- Use a 9-ft Post (specifically designed for Gate installation).
- Install the Post as per instructions on page 4.
- Install a Top Rail (with pocket facing down) as a Cross Bar for structural rigidity of the Gate Installation. Follow instructions on page 4 for Rail Joining to Post.
- The top of the Top Rail should be 2" – 4" below the end of the Post.
- Post caps should be installed at the end.

**Note:** Standard Gate comes with two Aluminum Side Rails, but they are not attached to the gate. All Standard Gates are 48" x 70". In order to use a standard gate, the centre-to-centre distance between the two Gate Posts should be 55", or the opening between Gate Posts should be 50".

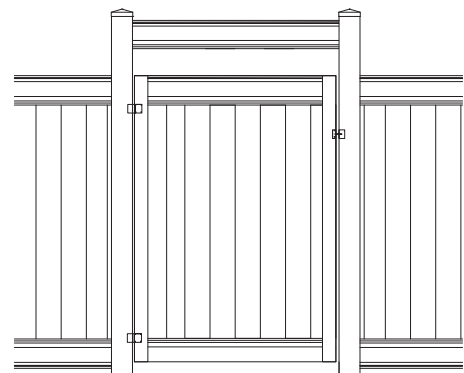
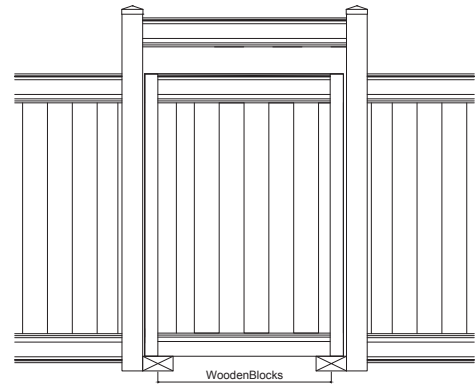
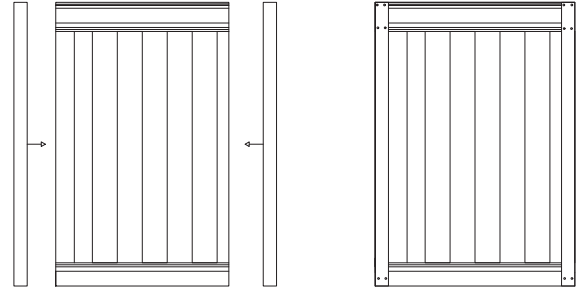
- Insert Post End Fillers to the grooves on both Gate Posts.
- Ensure the opening between Gate Posts is 50" or less.
- If the opening is 50", a Standard Gate can be used by adjusting its width. If the opening is less than 50", the Standard Gate must be cut to adjust to the gate opening.



Privacy Gate  
48" x 70"



Aluminum Side Rail  
70" Length



**Figure K**